

BLOCK DIAGRAM AVR 435/635

(AUDIO PART)

(POWER PART)

D
C
B
A

D
C
B
A

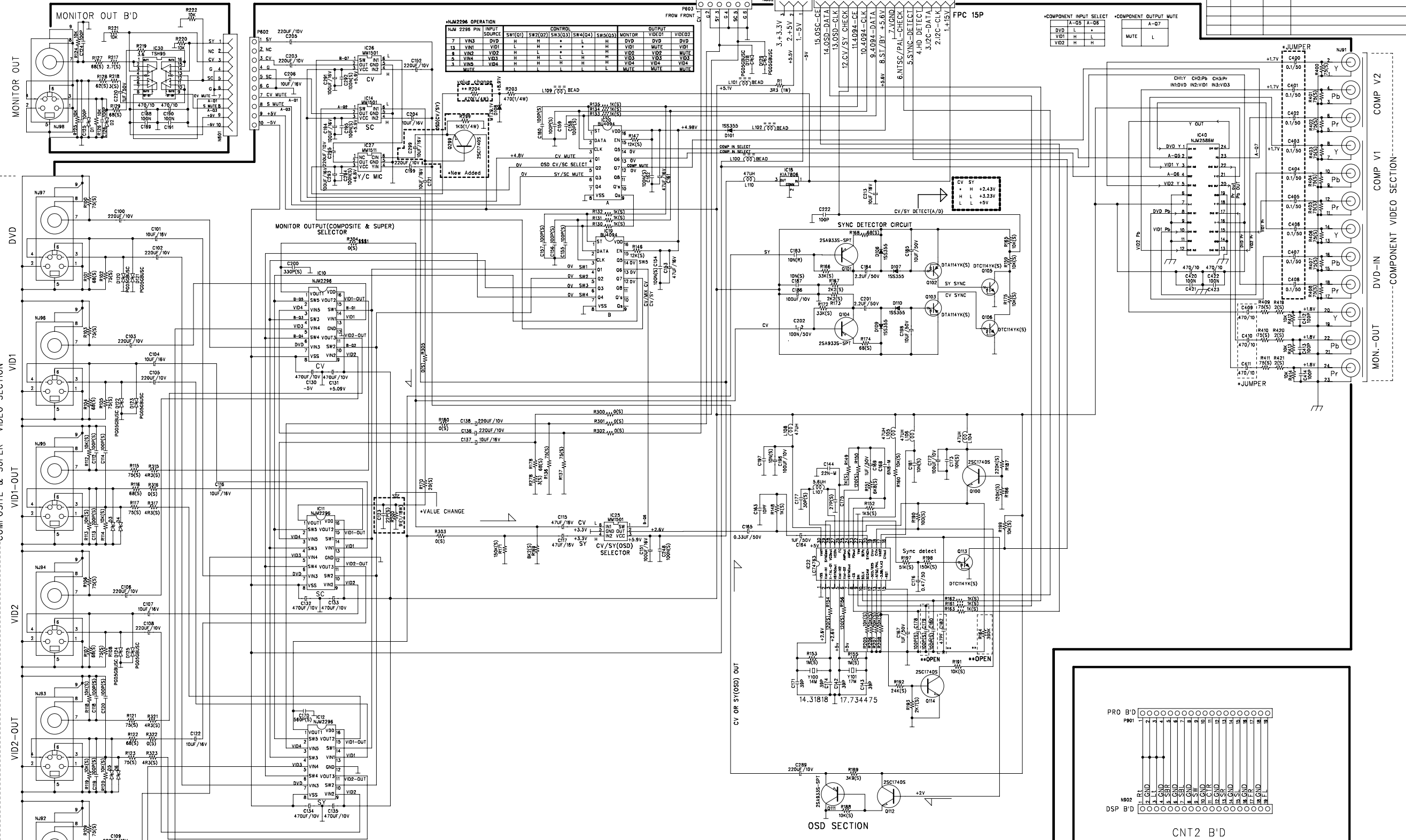
DRAWN:		DATED:		COMPANY:	
CHECKED:		DATED:		TITLE:	
QUALITY CONTROL:		DATED:		CODE:	SIZE:
RELEASED:		DATED:		DRAWING NO:	REV:
SCALE: MP STAGE				SHEET: of	

SCHEMATIC DIAGRAM

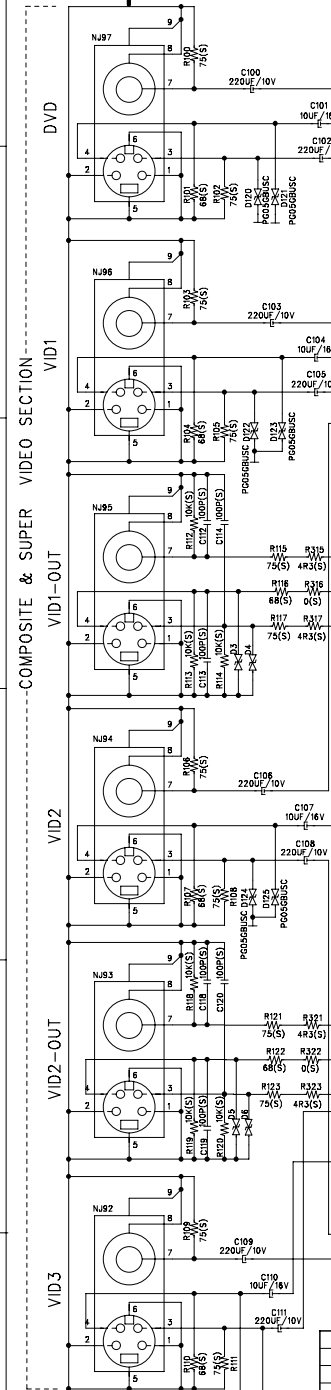
harman/kardon
AVR435 VIDEO

REVISION RECORD		
NO.	Date	Contents

... THE UNIT OF RESISTANCE IS OHM.
... K=1000 OHM, M=1000 K OHM.
... THE UNIT OF CAPACITANCE IS MICROFARAD (UF).
... THE SCHEMATIC DIAGRAM MAY MODIFIED AT ANYTIME WITH THE IMPROVEMENT OF PERFORMANCE.



NJM 2296 PIN	INPUT SOURCE	CONTROL	MONITOR	OUTPUT
7	VNS	DVD	H	H
8	VN1	VID1	L	H
9	VN2	VID2	H	L
10	VN3	VID3	H	H
11	VN4	VID4	H	H
12	VN5	VID5	H	H
13	VN6	VID6	H	H
14	VN7	VID7	H	H
15	VN8	VID8	H	H
16	VN9	VID9	H	H
17	VN10	VID10	H	H
18	VN11	VID11	H	H
19	VN12	VID12	H	H
20	VN13	VID13	H	H
21	VN14	VID14	H	H
22	VN15	VID15	H	H
23	VN16	VID16	H	H
24	VN17	VID17	H	H
25	VN18	VID18	H	H
26	VN19	VID19	H	H
27	VN20	VID20	H	H
28	VN21	VID21	H	H
29	VN22	VID22	H	H
30	VN23	VID23	H	H
31	VN24	VID24	H	H
32	VN25	VID25	H	H
33	VN26	VID26	H	H
34	VN27	VID27	H	H
35	VN28	VID28	H	H
36	VN29	VID29	H	H
37	VN30	VID30	H	H
38	VN31	VID31	H	H
39	VN32	VID32	H	H
40	VN33	VID33	H	H
41	VN34	VID34	H	H
42	VN35	VID35	H	H
43	VN36	VID36	H	H
44	VN37	VID37	H	H
45	VN38	VID38	H	H
46	VN39	VID39	H	H
47	VN40	VID40	H	H
48	VN41	VID41	H	H
49	VN42	VID42	H	H
50	VN43	VID43	H	H
51	VN44	VID44	H	H
52	VN45	VID45	H	H
53	VN46	VID46	H	H
54	VN47	VID47	H	H
55	VN48	VID48	H	H
56	VN49	VID49	H	H
57	VN50	VID50	H	H
58	VN51	VID51	H	H
59	VN52	VID52	H	H
60	VN53	VID53	H	H
61	VN54	VID54	H	H
62	VN55	VID55	H	H
63	VN56	VID56	H	H
64	VN57	VID57	H	H
65	VN58	VID58	H	H
66	VN59	VID59	H	H
67	VN60	VID60	H	H
68	VN61	VID61	H	H
69	VN62	VID62	H	H
70	VN63	VID63	H	H
71	VN64	VID64	H	H
72	VN65	VID65	H	H
73	VN66	VID66	H	H
74	VN67	VID67	H	H
75	VN68	VID68	H	H
76	VN69	VID69	H	H
77	VN70	VID70	H	H
78	VN71	VID71	H	H
79	VN72	VID72	H	H
80	VN73	VID73	H	H
81	VN74	VID74	H	H
82	VN75	VID75	H	H
83	VN76	VID76	H	H
84	VN77	VID77	H	H
85	VN78	VID78	H	H
86	VN79	VID79	H	H
87	VN80	VID80	H	H
88	VN81	VID81	H	H
89	VN82	VID82	H	H
90	VN83	VID83	H	H
91	VN84	VID84	H	H
92	VN85	VID85	H	H
93	VN86	VID86	H	H
94	VN87	VID87	H	H
95	VN88	VID88	H	H
96	VN89	VID89	H	H
97	VN90	VID90	H	H
98	VN91	VID91	H	H
99	VN92	VID92	H	H
100	VN93	VID93	H	H
101	VN94	VID94	H	H
102	VN95	VID95	H	H
103	VN96	VID96	H	H
104	VN97	VID97	H	H
105	VN98	VID98	H	H
106	VN99	VID99	H	H
107	VN100	VID100	H	H

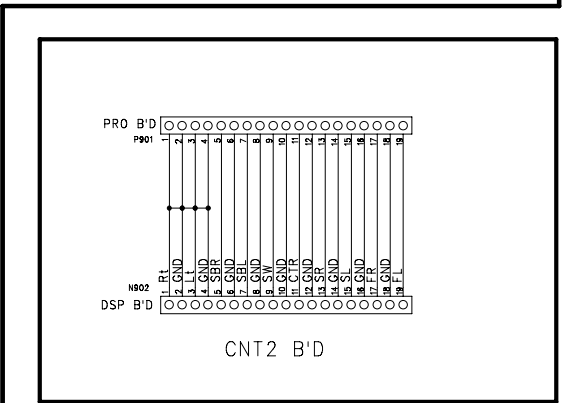


SWITCHING TABLE

IC20(4094) CONTROL		IC19(4094) CONTROL	
Q1	CV OUT MUTE(TSH95)	Q1	NJM2296 SW1
Q2	SC OUT (OSD/NON OSD)	Q2	NJM2296 SW2
Q3	SY/SC OUT MUTE(TSH95)	Q3	NJM2296 SW3
Q4	VID4 IN/OUT	Q4	NJM2296 SW4
Q5	COMPNT1/2 SELECT(Y,Pb,Pr)	Q5	NJM2296 SW5
Q6	NC	Q6	CV/SY IN SELECT
Q7	NC	Q7	CV/S+C SELECT
Q8	NC	Q8	NC

***MONITOR OUT OPERATION - OSD FUNCTION**

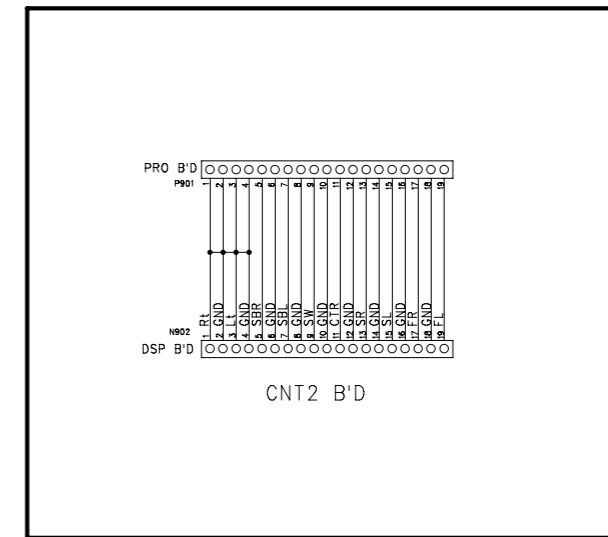
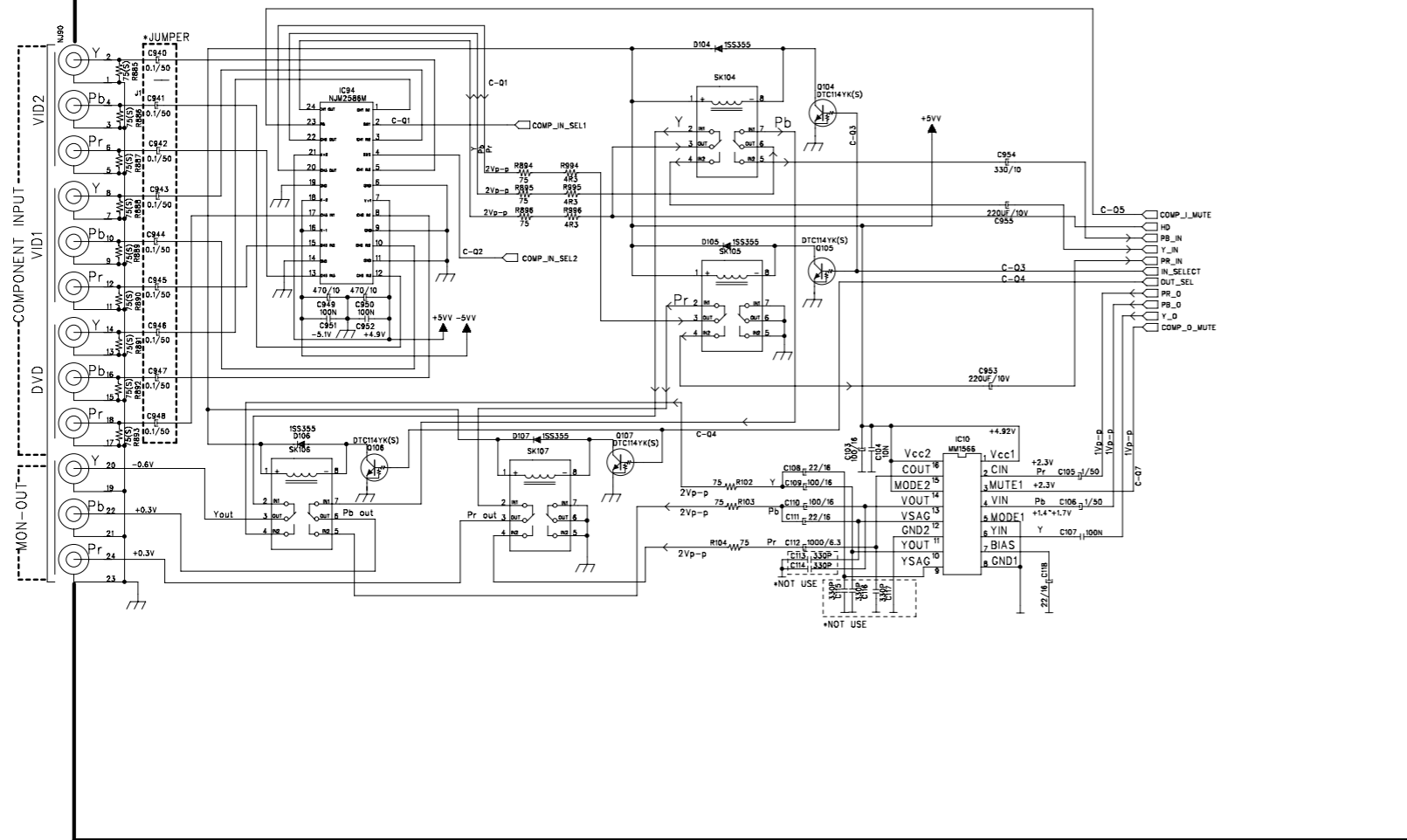
OUTPUT	OLD INPUT CONDITION						CURRENT INPUT CONDITION			
	Q1(IC20)	Q2(IC20)	Q3(IC20)	Q6(IC19)	Q8(IC20)	Q7(IC19)	CV-DETECT	SY-DETECT	FULL OSD	CV/SY(D/A)
CV ONLY DETECT	SEMI OSD	ON(H)	NON OSD(L)	OFF(L)	CV(L)	OFF(L)	ON(H)	*	OFF	3.3V
FULL OSD	FULL OSD	ON(H)	OSD(H)	ON(H)	*	ON(H)	ON(H)	*	ON	*
SY DETECT	SEMI OSD	ON(H)	NON OSD(L)	ON(H)	SY(H)	ON(H)	OFF(L)	*	OFF	2.5V
FULL OSD	FULL OSD	ON(H)	OSD(H)	ON(H)	*	ON(H)	ON(H)	*	ON	*
NONE SOURCE	SEMI OSD	ON(H)	OSD(H)	ON(H)	*	ON(H)	ON(H)	L	OFF	5V
FULL OSD	FULL OSD	ON(H)	OSD(H)	ON(H)	*	ON(H)	ON(H)	*	ON	*
MUTE	OFF(L)	*	OFF(L)	*	OFF(L)	*	*	*	*	*



Category	AVR RECEIVER	Model	AVR435
Stage	Ver.	Sheet	B'D name
MP	V1.0	6 / 9	VIDEO
Draw	Approved	Date	Drawing No
G.J.C		2005/01/13	

REVISION RECORD		
NO.	Date	Contents

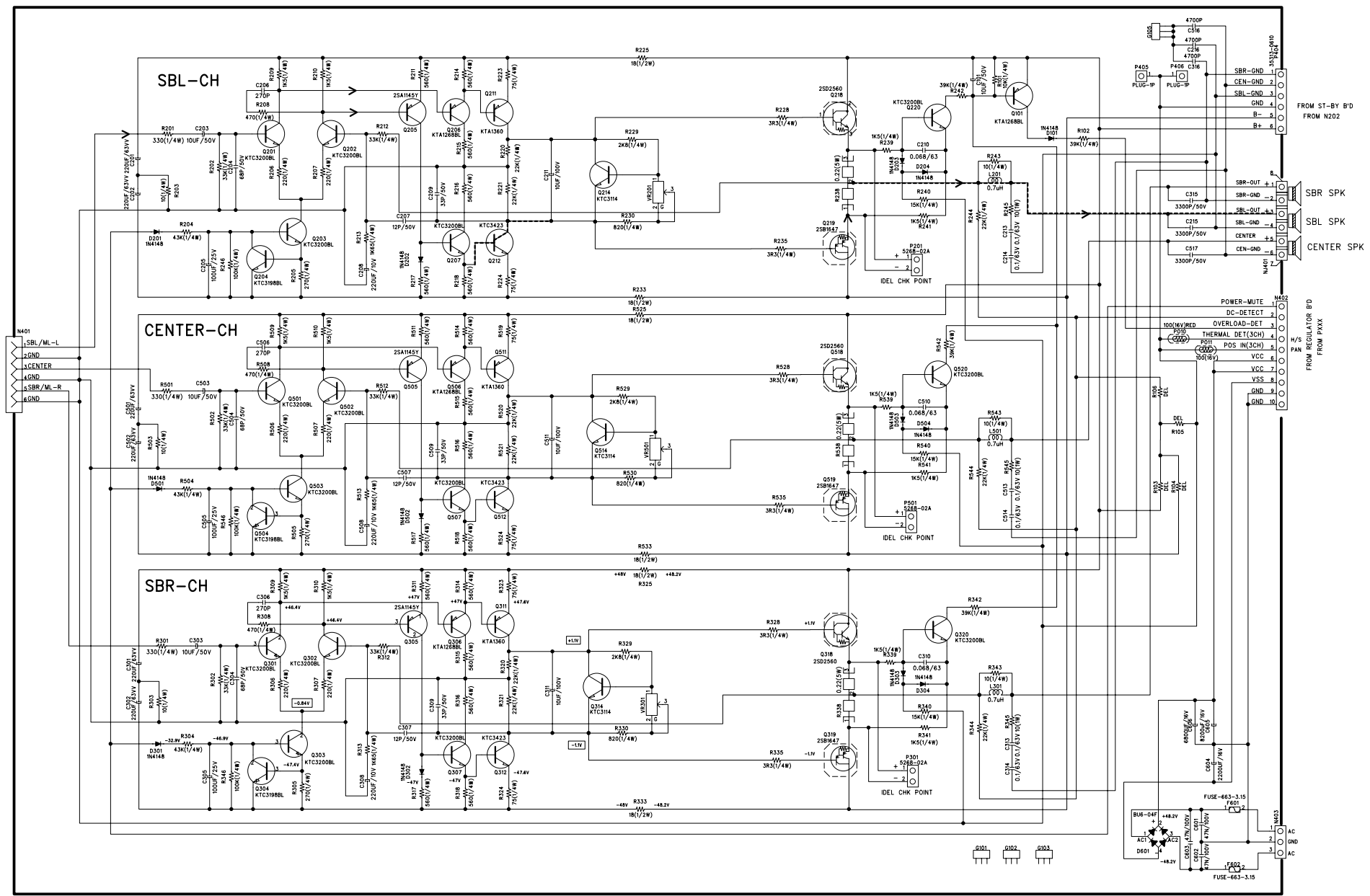
COMPONENT B'D



Category	AVR RECEIVER	Model	AVR635
Stage	Ver.	Sheet	B'D name
MP	1.1	/	VIDEO
Draw	Approved	Date	Drawing No
GEUM.J.G		2004.10.22	

AVR 435 CENTER SB AMP SCHEMATIC DIAGRAM

REVISION RECORD		
NO.	Date	Contents



FROM ST-BY B'D
FROM N202

SBR-OUT +1
SBR-OUT -2
SBL-OUT +1
SBL-OUT -2
CENTER
CEN-GND

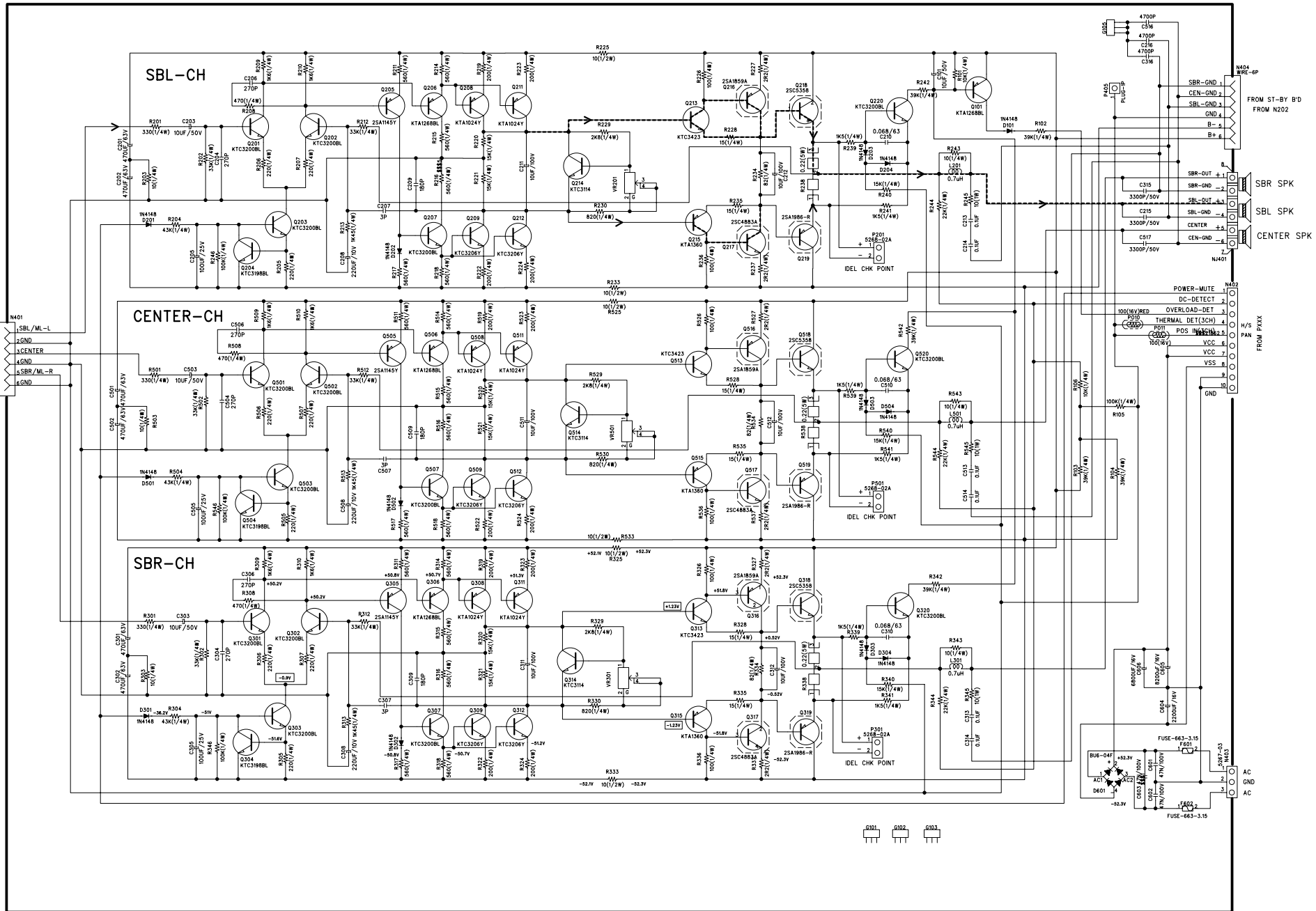
POWER-MUTE
DC-DETECT
OVERLOAD-DECT
THERMAL DET (SCH)
POS IN (3CH)
VCC
GND

FROM REGULATOR B'D
FROM PXXX

Category	AVR RECEIVER	Model	AVR435
Stage	Ver.	Sheet	B'D name
HMS		/	SURROUND
Draw	Approved	Date	Drawing No
KIM.S.Y		2005.1.05	

AVR 635 CENTER SB AMP SCHEMATIC DIAGRAM

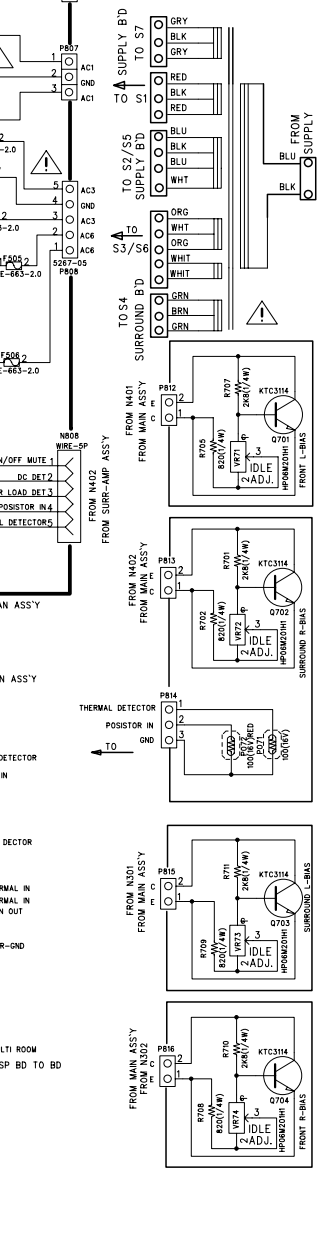
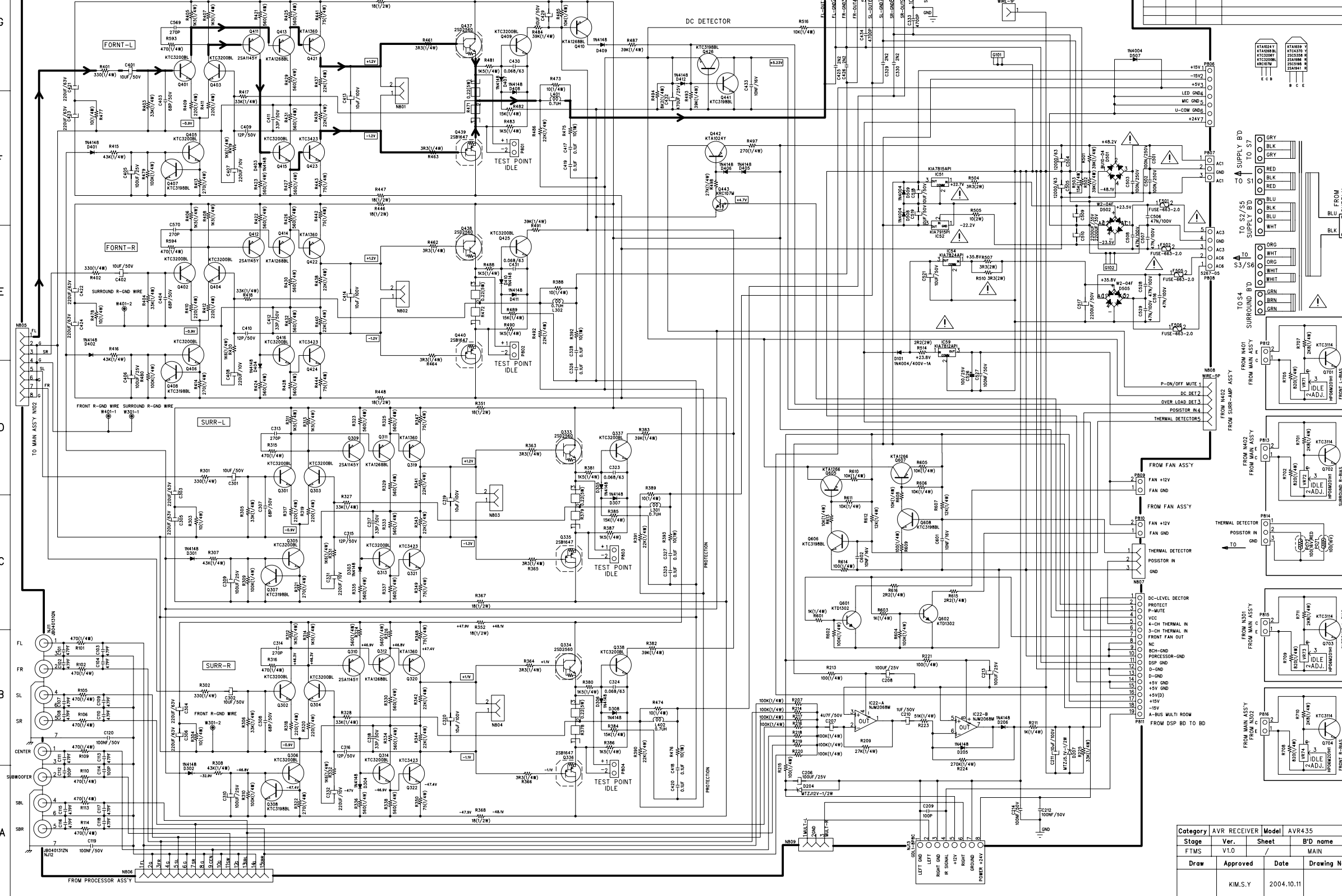
REVISION RECORD		
No.	Date	Contents



Category	AVR RECEIVER	Model	AVR635
Stage	Ver.	Sheet	B'D name
MP		/	SURROUND
Draw	Approved	Date	Drawing No
KIM.S.Y		2004.10.19	

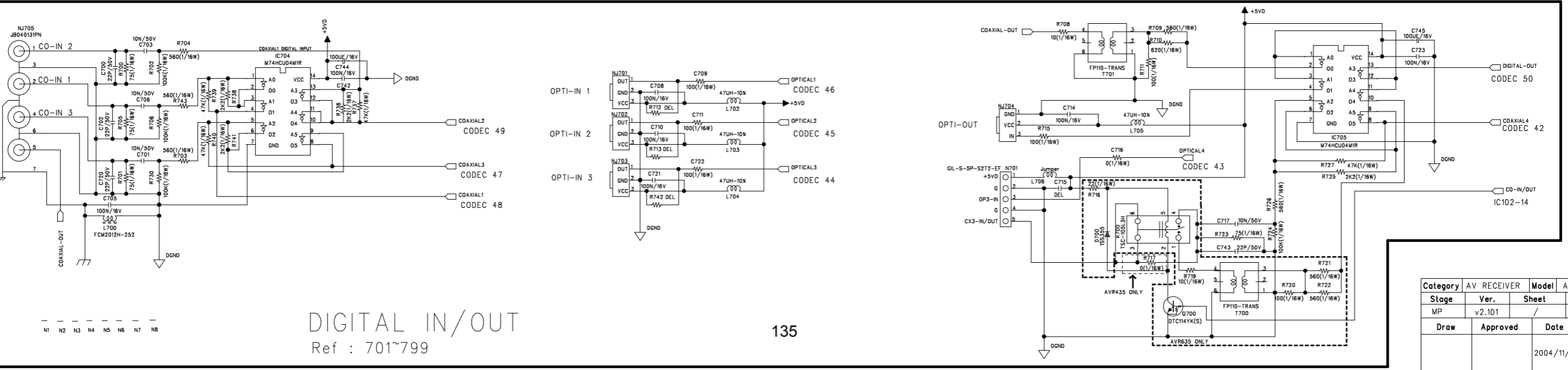
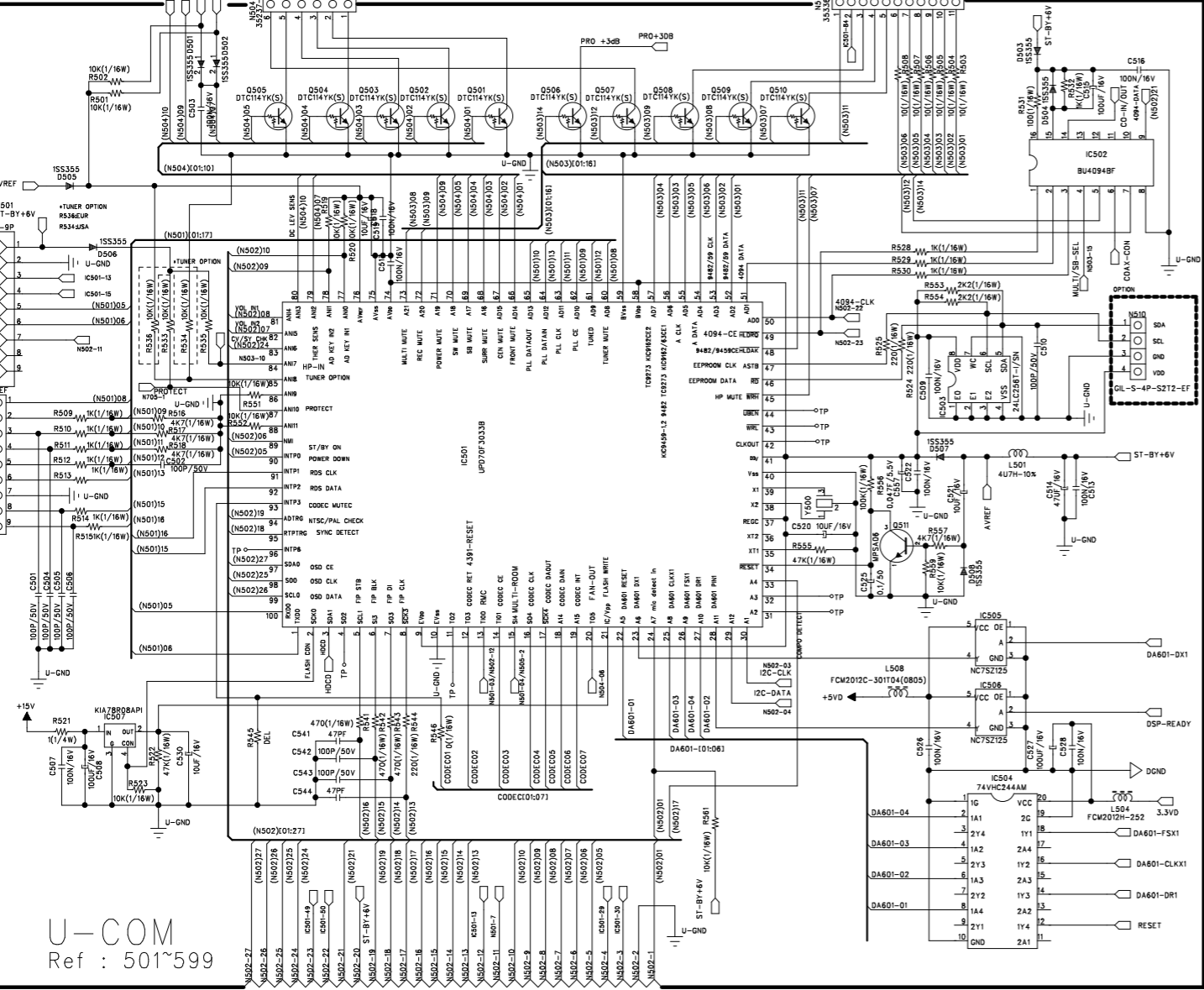
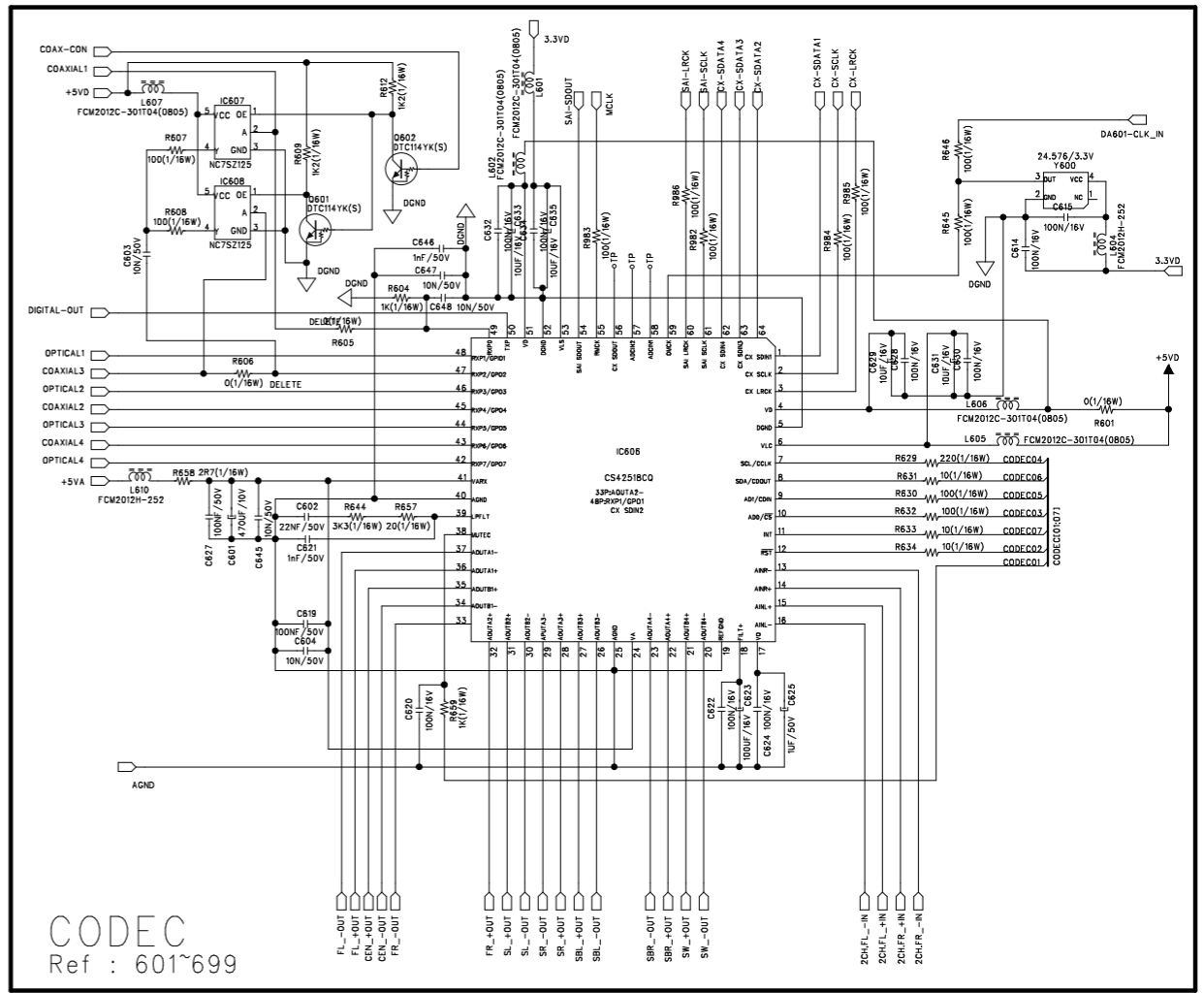
AVR 435 MAIN AMP SCHEMATIC DIAGRAM

REVISION RECORD		
NO.	Date	Contents



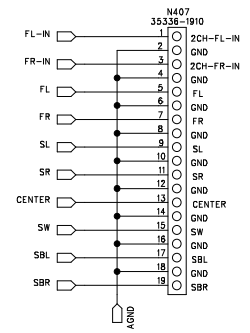
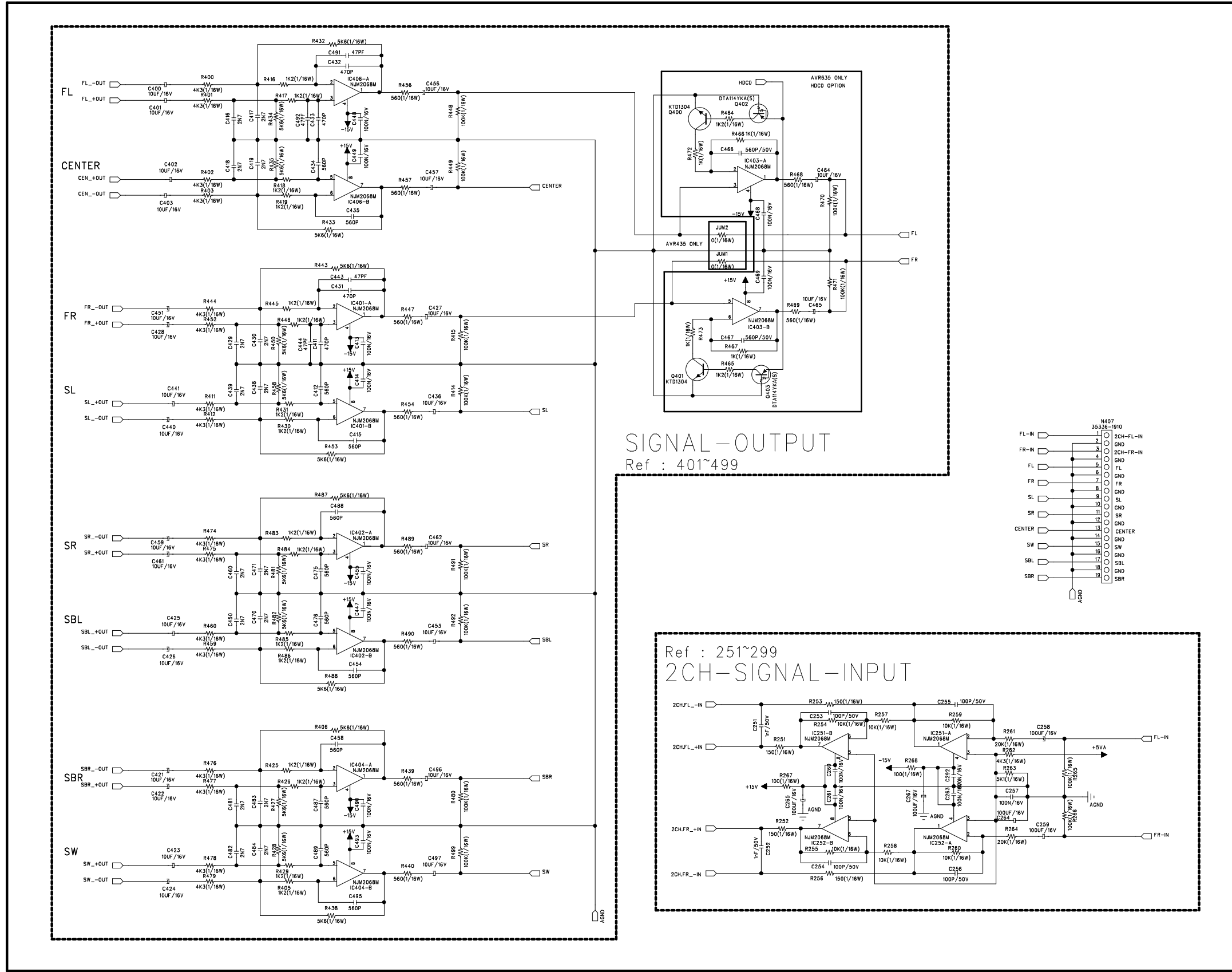
Category	AVR RECEIVER	Model	AVR435
Stage	Ver.	Sheet	B'D name
FTMS	V1.0		MAIN
Draw	Approved	Date	Drawing No
	KIM.S.Y	2004.10.11	

REVISION RECORD		
NO.	Date	Contents



Category	AV RECEIVER	Model	AVR635/435
Stage	Ver.	Sheet	B'D name
MP	v2.101	/	PROCESSOR
Draw	Approved	Date	Drawing No
		2004/11/30	

REVISION RECORD		
NO.	Date	Contents



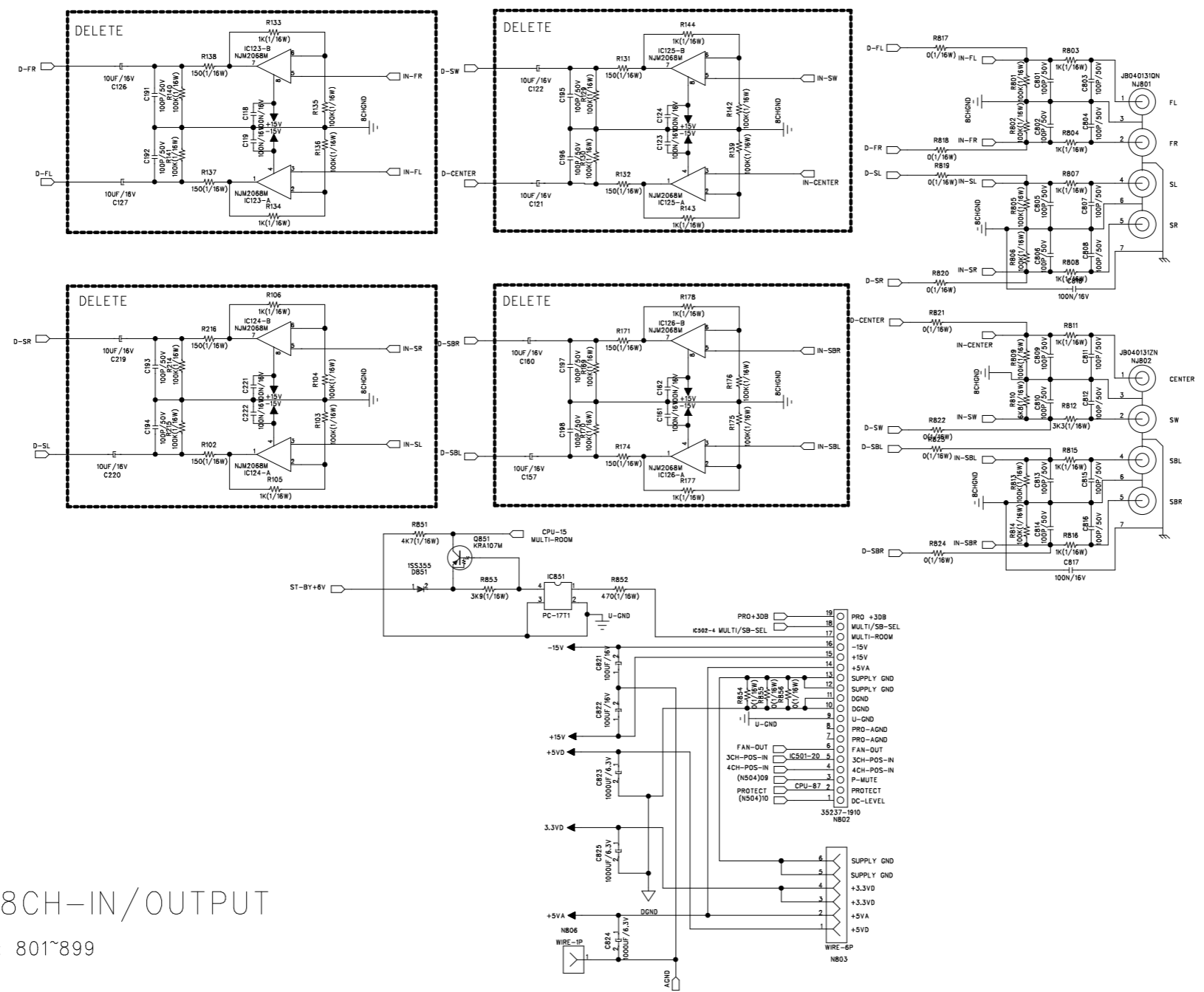
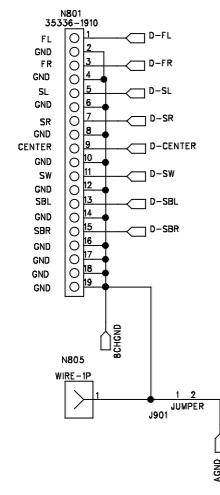
SIGNAL-OUTPUT
Ref : 401~499

Ref : 251~299
2CH-SIGNAL-INPUT

Category	AV RECEIVER	Model	AVR635/435
Stage	Ver.	Sheet	B'D name
MP	v2.101	/	PROCESSOR
Draw	Approved	Date	Drawing No
		2004/11/30	

REVISION RECORD		
NO.	Date	Contents

8ch-D



POWER/GND/8CH-IN/OUTPUT
 Ref : 101~251 Ref : 801~899

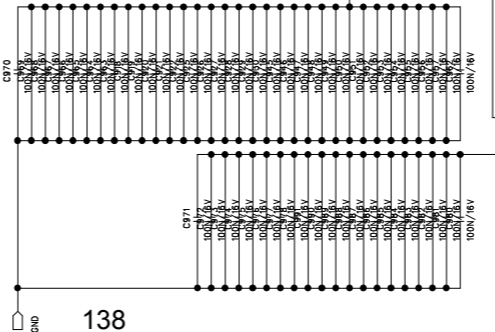
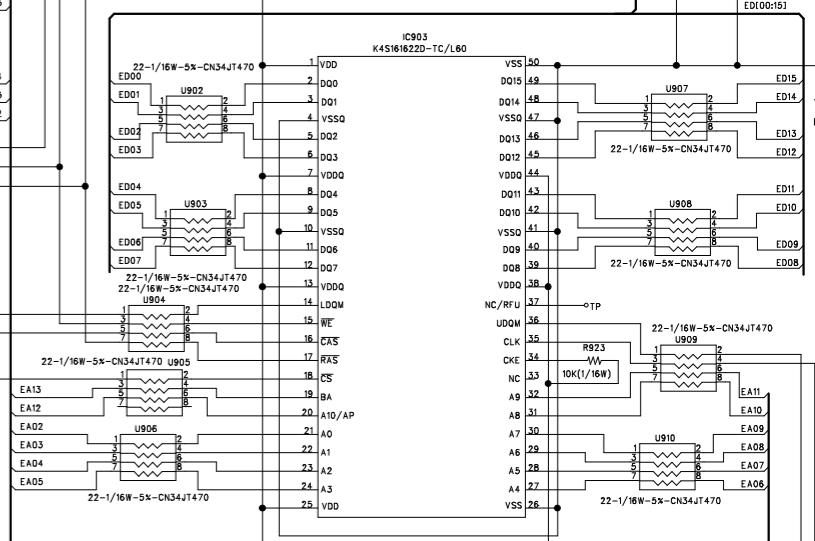
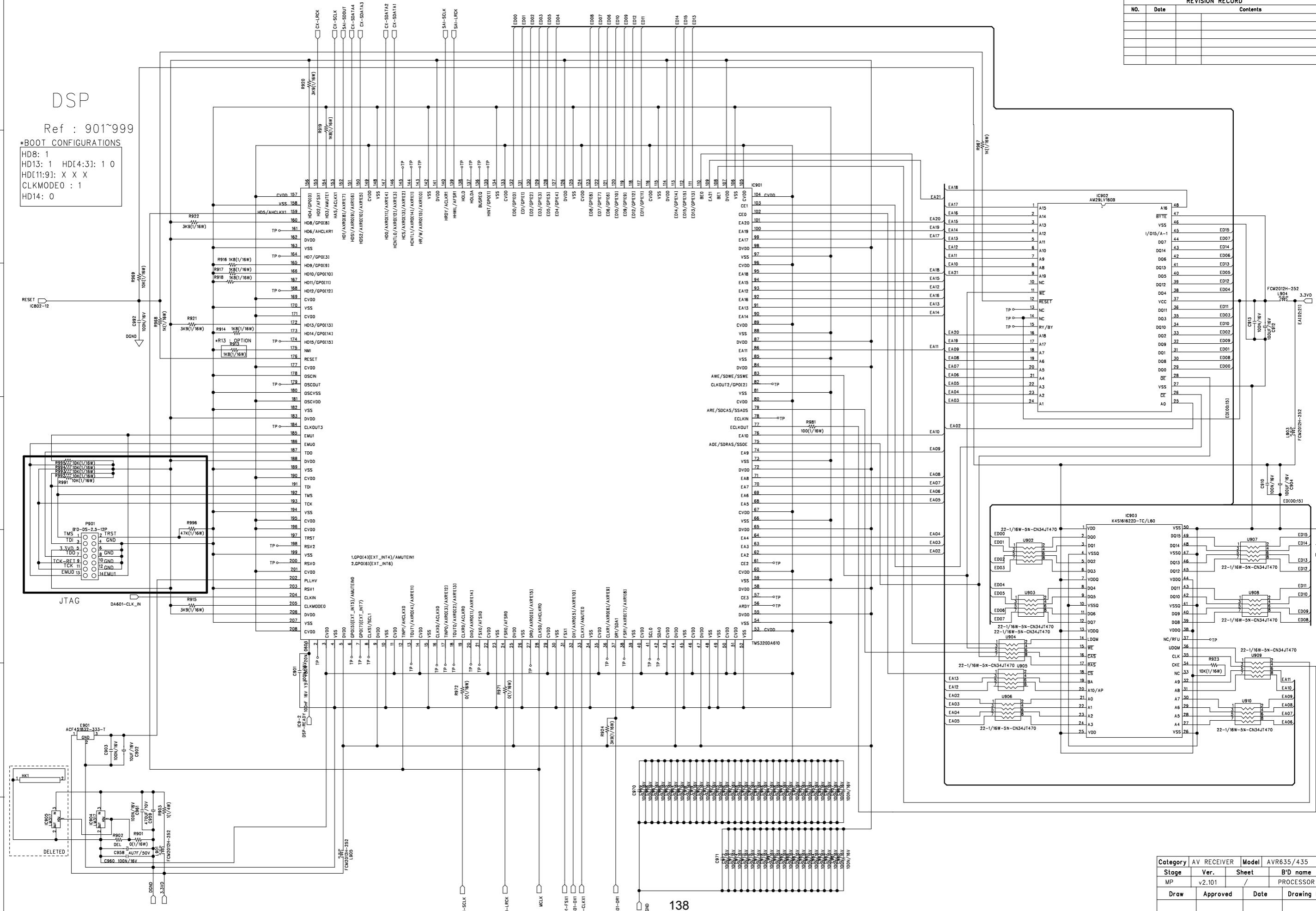
Category	AV RECEIVER	Model	AVR635/435
Stage	Ver.	Sheet	B'D name
MP	v2.101	/	PROCESSOR
Draw	Approved	Date	Drawing No
		2004/11/30	

REVISION RECORD		
NO.	Date	Contents

DSP

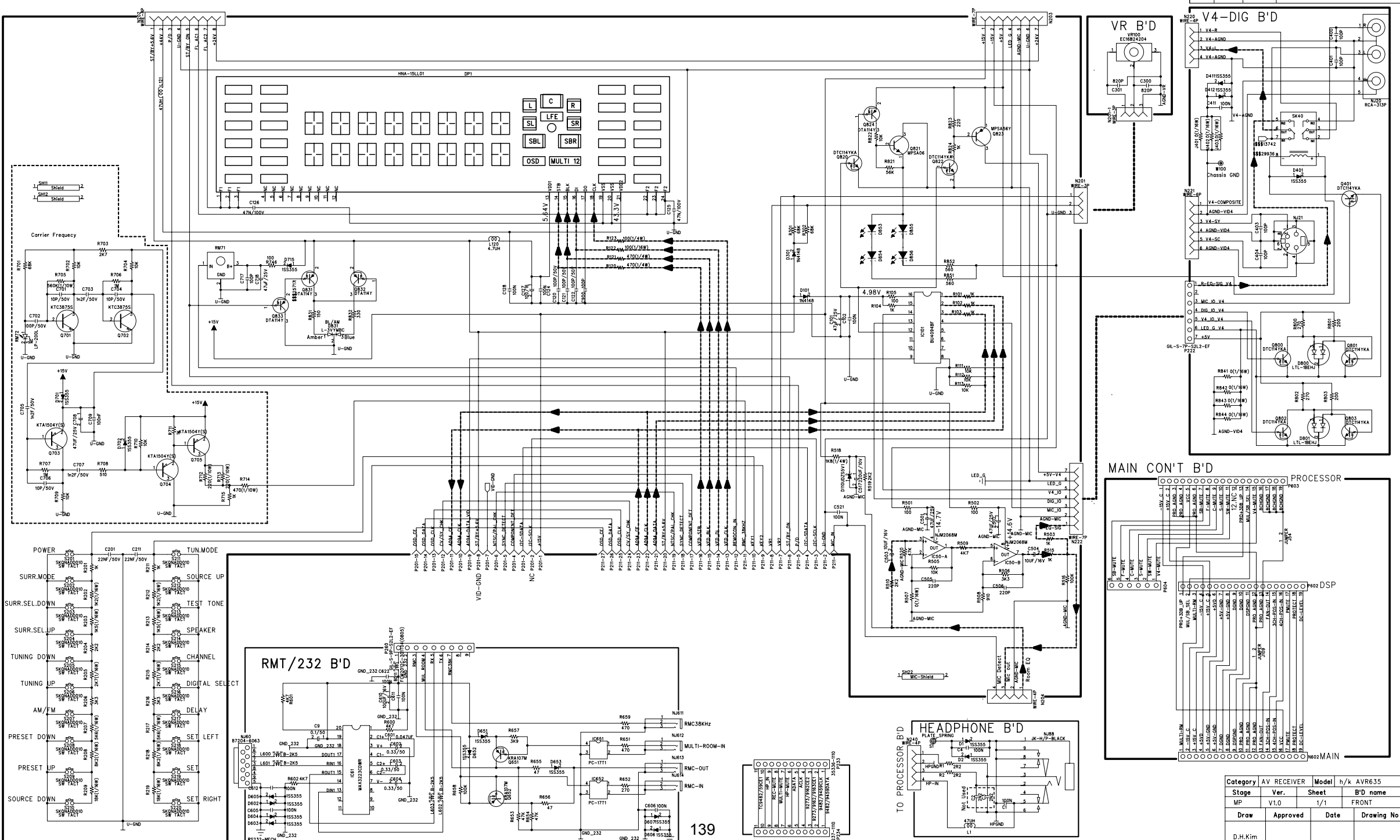
Ref : 901~999

***BOOT CONFIGURATIONS**
 HD8: 1
 HD13: 1 HD[4:3]: 1 0
 HD[11:9]: X X X
 CLKMODE0 : 1
 HD14: 0



Category	AV RECEIVER	Model	AVR635/435
Stage	MP	Sheet	/
Ver.	v2.101	B'D name	PROCESSOR
Draw	Approved	Date	2004/11/30
		Drawing No	

REVISION RECORD		
NO.	Date	Contents

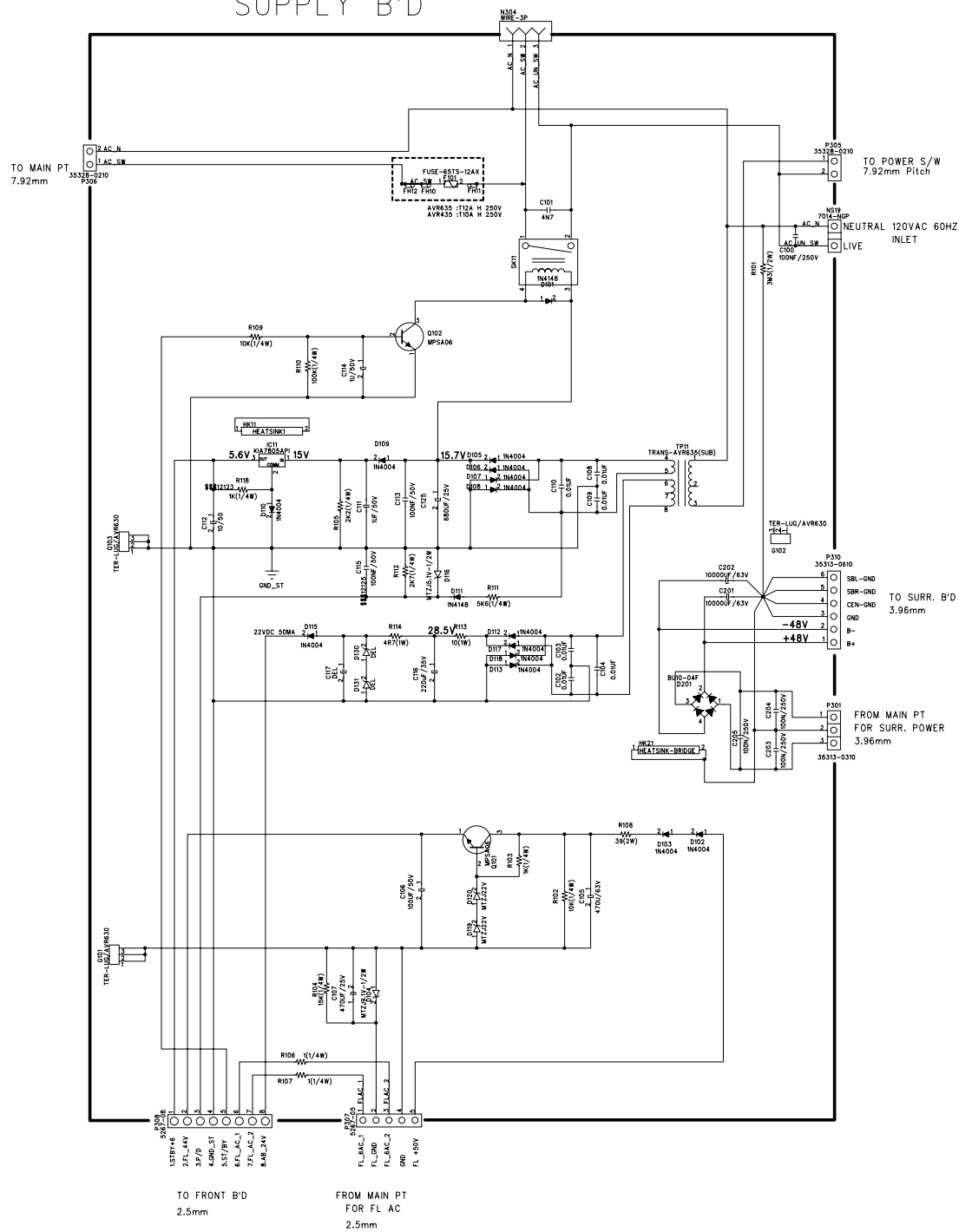


Category	AV RECEIVER	Model	h/k AVR635
Stage	Ver.	Sheet	B'D name
MP	V1.0	1/1	FRONT
Draw	Approved	Date	Drawing No
D.H.Kim			

AVR 635 SUPPLY & REG SCHEMATIC DIAGRAM

REVISION RECORD		
NO.	Date	Contents

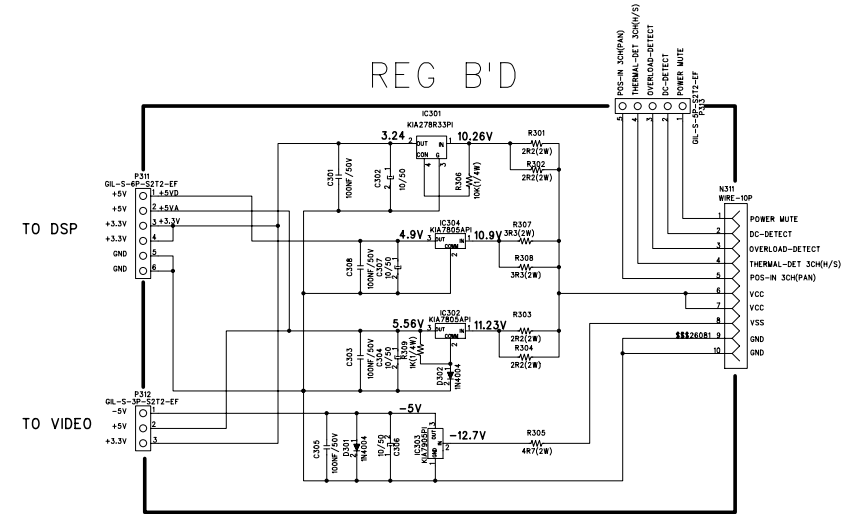
SUPPLY B'D



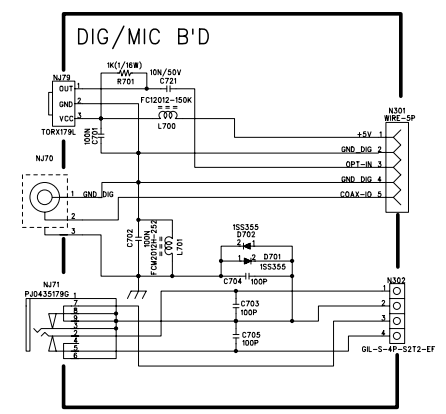
AVR435/635

harman/kardon

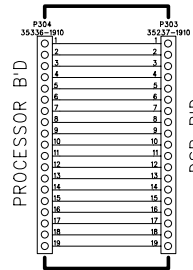
REG B'D



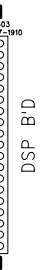
DIG/MIC B'D



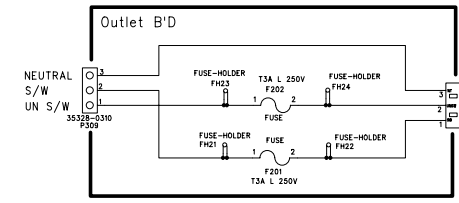
PROCESSOR B'D



DSP B'D



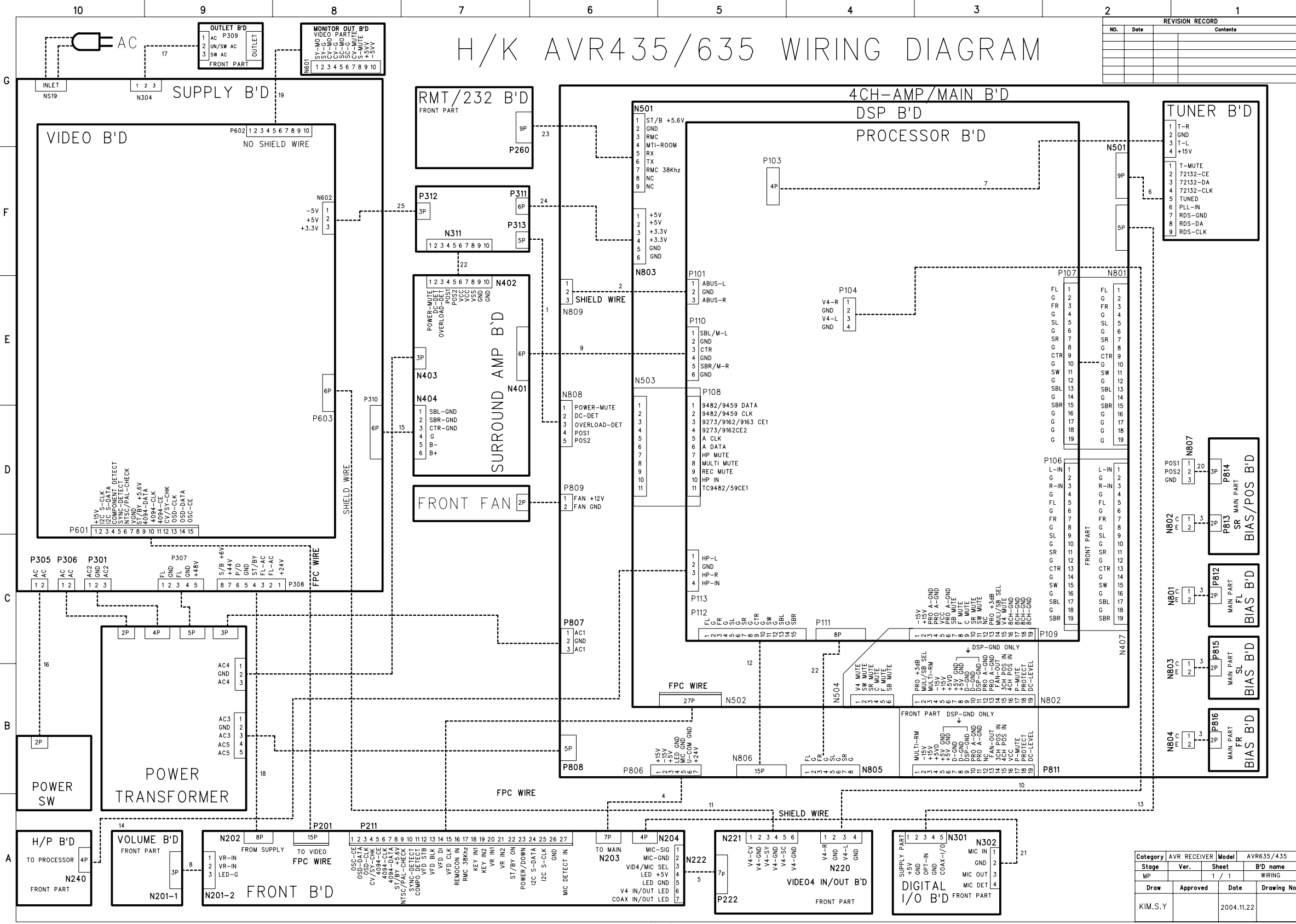
Outlet B'D



Category	A/V RECEIVER	Model	AVR635
Stage	Ver.	Sheet	B'D name
MP	v0.0	/	SUPP/REGU
Draw	Approved	Date	Drawing No
S.Y. .KIM		18/OCT/04	

H/K AVR435/635 WIRING DIAGRAM

REVISION RECORD		
NO.	Date	Contents



Category	Ver.	Sheet	B'D name
AVR RECEIVER		1 / 1	AVR635/435 WIRING
MP			
Draw	Approved	Date	Drawing No
KIM.S.Y		2004.11.22	